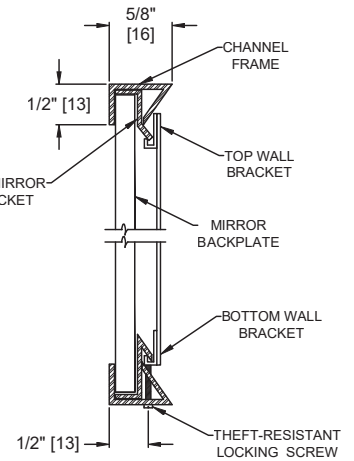
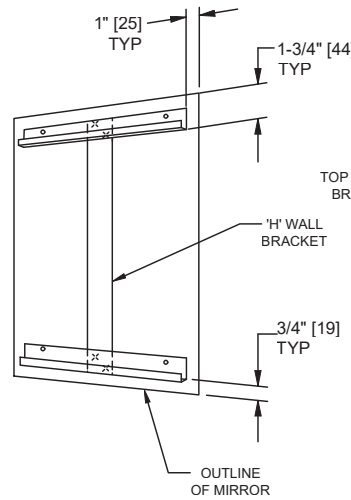
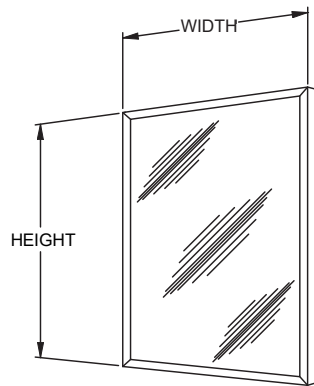


Stainless Steel Chan-Lok – Plate Glass Mirrors - Variable Sizes

Mirrors

MasterFormat Section 10 28 13



Scan for Information



SUSTAINABILITY/LEED

MR 4.1 (1) MR 6 (1) EQ 4.2 (1)
MR 4.2 (1) EQ 4.1 (1) EQ 4.4 (1)

NOTE:
ALL DIM'S INCH [MM]
ILLUSTRATION FOR REF ONLY AND NTS
FOR CLEANING INSTRUCTIONS SEE APPROPRIATE SECTIONS IN
PRODUCT CARE & MAINTENANCE BULLETIN (PCM) ON ASI WEBSITE

PRODUCT OVERVIEW

1/2" [13] x 5/8" [16] 20 gauge type 304 satin finish stainless steel channel is a one-piece roll formed member that encases mirror and backing revealing a tight mitered corner. Mirror is installed on wall bracket and held secure by theft-resistant screws.

KEY FEATURES & SPECIFICATIONS

- One-piece stainless steel channel encases mirror and backing
- Tight mitered corners add sophistication.
- Type 304, alloy 18-8 stainless steel - Satin Finish Frame
- Plate Glass Mirror
- Surface Mounted
- Various sizes and glazing options

TECHNICAL INFORMATION / PRODUCT PROPERTIES

Property	Value
Dimensions	Various sizes and glazing options
Construction	Type 304, alloy 18-8 stainless steel - Satin Finish Frame Plate Glass Mirror
Mounting	Surface Mounted
Materials	<p>Frame: 18-8, type 304, 20 gauge stainless steel. Exposed surfaces have satin finish. Edges and corners are burr free.</p> <p>Glass: Standard glazing is #1 quality, 1/4" [6.4] thick plate/float, silver coated and hermetically sealed with a uniform coating of electrolytic copper plating, warranted against silver spoilage for 15 years. Mirrors meet Federal Spec. DD-M-411C, ASTM C-1503, and ASTM C-1036-91.</p> <p>Filler: Expanded polyethylene microcell foam sheet material, abrasion resistant and shock absorbing, water resistant, 1/8" [3.2] total layer thickness.</p>

INSTALLATION

Install "H" wall brackets level and plumb per diagram location using ONLY #8 or #10 Pan Head screws (by others). Hang mirror on brackets and tighten locking screw (#6-32Fx3/4" Philips Pan Head, supplied separately taped to mirror back) at bottom (note: this screw should be started prior to hanging mirror on wall bracket). For compliance with 2010 ADA Accessibility Standards and ABA Standards 2015, bottom edge of reflecting surface should be no higher than 40" [1016] Above Finished Floor. Mirrors larger than 32sq. Ft. (2.97m²) are fabricated in two (2) or more sections to provide installation and handling ease.

SIZE OPTIONS

Plate Glass	0620-1620 – 16" [406] wide x 20" [508] high	0620-1624 – 16" [406] wide x 24" [610] high
	0620-1630 – 16" [406] wide x 30" [762] high	0620-1824 – 18" [457] wide x 24" [610] high
	0620-1830 – 18" [457] wide x 30" [762] high	0620-1836 – 18" [457] wide x 36" [914] high
	0620-2060 – 20" [508] wide x 60" [1524] high	0620-2424 – 24" [610] wide x 24" [610] high
	0620-2430 – 24" [610] wide x 30" [762] high	0620-2436 – 24" [610] wide x 36" [914] high
	0620-2442 – 24" [610] wide x 42" [1067] high	0620-2448 – 24" [610] wide x 48" [1219] high
	0620-2460 – 24" [610] wide x 60" [1524] high	0620-3036 – 30" [762] wide x 36" [914] high
	0620-3048 – 30" [762] wide x 48" [1219] high	0620-3624 – 36" [914] wide x 24" [610] high
	0620-3636 – 36" [914] wide x 36" [914] high	0620-3648 – 36" [914] wide x 48" [1219] high
	0620-4830 – 48" [1219] wide x 30" [762] high	0620-4836 – 48" [1219] wide x 36" [914] high
	0620-6036 – 60" [1524] wide x 36" [914] high	0620-7236 – 72" [1829] wide x 36" [914] high
Tempered Glass	0620-B1830 – 18" [457] wide x 30" [762] high	0620-B1836 – 18" [457] wide x 36" [914] high
	0620-B2436 – 24" [610] wide x 36" [914] high	

GLAZING OPTIONS

(A) Plate Glass - 1/4" [6.4] #1 quality polished, silver coated and hermetically sealed with an electrolytic copper plating. Mirrors meet Federal Spec. No. DD-M-411C, ASTM C-1503 and ASTM-C-1036-91. Image quality: Excellent

(B) Tempered Glass - 1/4" [6.4] thick polished tempered glass with two coats of silver. Hermetically sealed with an electrolytic copper plating. Back of mirror is finished and protected with a heavy waterproof paint. Glazing meets Federal Specification No. DD-G1403B, Amendment 1, ASTM C-1503 and ASTM-C-1048-92. Image quality: Good

(C) Metal Mirrors - Type 304 alloy 18-8 stainless steel, 20 gauge polished to a #8 mirror finish. Image quality: Good

(D) Lexan Dura-Mirror - 1/4" [6.4] impact resistant polycarbonate sheet. Mirror face is provided with removable masking to prevent scratching during installation. Image quality: Very Good

(E) Plexiglas® - 1/4" [6.4] thick acrylic plastic, lightweight and highly shock resistant. Image quality: Very Good

(L) Mirror is fabricated with a 1/32" [0.8] thick vinyl interlayer bonded between two 1/8" [3] sheets of #1 quality polished plate glass with back silver. Hermetically sealed with a uniform coating of electrolytic copper plating. Back of mirror is finished and protected with a heavy-duty waterproof paint. Laminated glass meets the performance criteria of Federal Spec. No. DD-M-451 and ANSI Z87.1 and complies with CPSC standards 16 CR 1201 (1) 11. Image quality: Excellent

WARRANTY

Warranted against silver spoilage for 15 years from date of Invoice